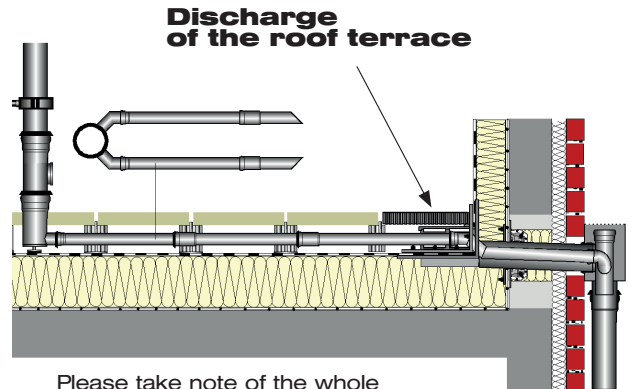


## Specification sheet LX 1902

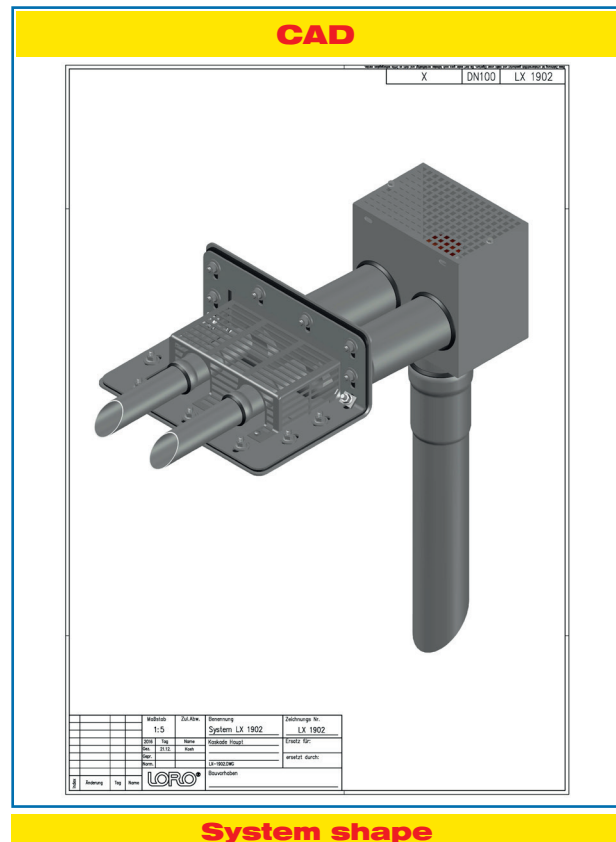
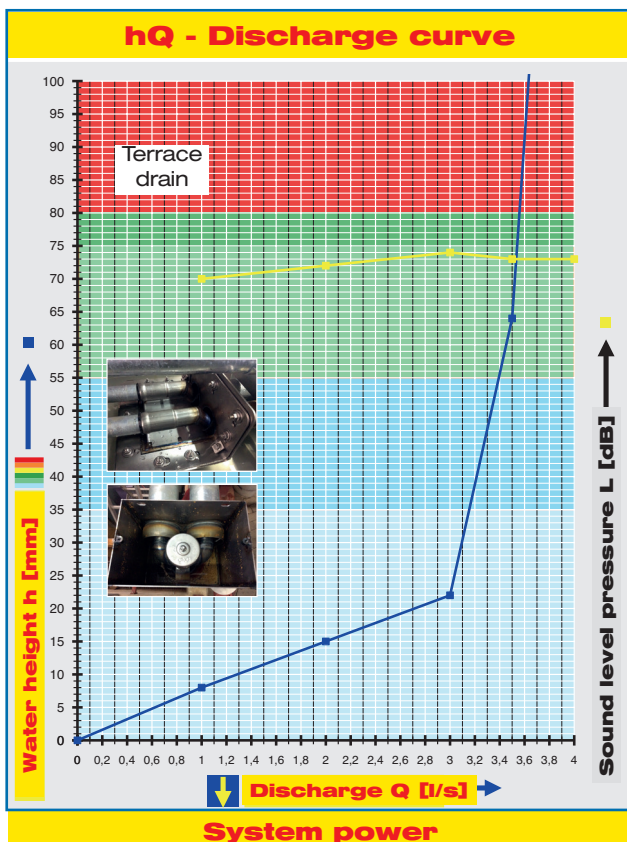
# LORO-X DUOSTREAM High performance cascade drainage for roof terrace

<b>Main drainage</b>	
<b>Gravity flow</b>	
<b>Silent</b>	
<b>Discharge rate:</b>	<b>3.15 l/sec</b>
<b>Water height:</b>	<b>35 mm</b>
<b>Roof penetration:</b>	<b>-</b>
<b>Diameter:</b>	<b>DN 100</b>
<b>LX-Number:</b>	<b>LX 1902</b>
<b>Weir height:</b>	<b>0 mm</b>
<b>Drain:</b>	<b>ventilated</b>
<b>Downpipe:</b>	<b>ventilated</b>
<b>Downpipe height:</b>	<b>min. 2.5 m</b>
<b>Drainage:</b>	<b>in sewer</b>
<b>Flange:</b>	<b>clamping flange</b>



### LX 1902 Piece list

- |   |  |
|---|--|
| 1 x Art.-No. 13541.100X High performance roof terrace | 4 x Art.-No. 00911.050X Sealing elements |
| 1 x Art.-No. 01401.100X Pipe with one socket          | 2 x Art.-No. 00911.100X Sealing elements |
| 1 x Art.-No. 01401.050X Pipe with one socket          | 1 x Art.-No. 00986.000X Lubricant        |
| 1 x Art.-No. 13221.DBX Deflection                     |  |
| 1 x Art.-No. 13428.DBX Collector box                  |  |



<b>Water height</b>	mm	10	15	20	25	30	35	40	45	50	55	60	65	70	75	80	85	90	95	100
<b>Discharge</b>	l/sec	1,3	2,0	2,7	3,05	3,1	3,15	3,2	3,3	3,35	3,4	3,45	3,5	-	-	-	-	-	-	-

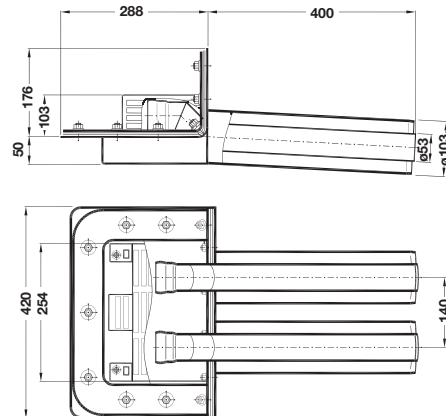
## LORO-X DUOSTREAM High performance cascade drainage for roof terrace

**LX1902-1X**

**Serie 43**

### DUOSTREAM High performance Main drainage

Drainage of the roof terrace (DN 100)  
Feed-through of the upper floors (DN 50)  
Drain: Art.-No. 13541.100X  
Weight: 13.90 kg



### LORO-DUOSTREAM High performance deflection for roof terrace

from pipe-in-pipe downpipe (DN100/50)  
into double pipe (DN 50/50) under the paving slab

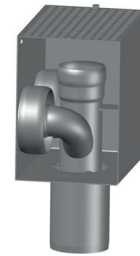
Art.-No. 13221.DBBX  
Weight: 2.0 kg



### LORO-X DUOSTREAM High performance collector box - roof terrace

with reducing double branches

Art.-No. 13428.DBDX  
Weight: 6.7 kg



### LORO-X Pipe with one socket

made of galvanized steel  
250 mm long  
Art.-No. 01401.050X  
Art.-No. 01401.100X



### LORO-Sealing elements

Art.-No. 00911.050X  
Art.-No. 00911.100X